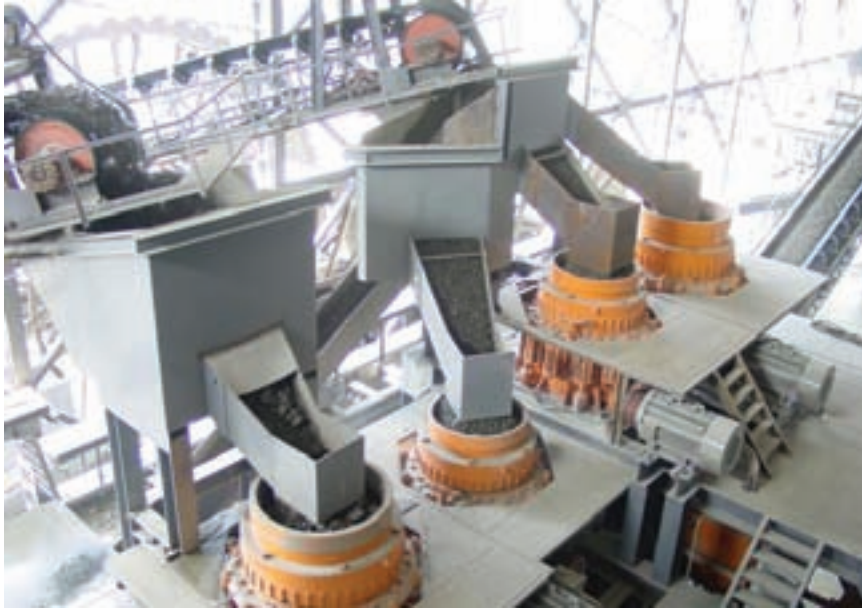




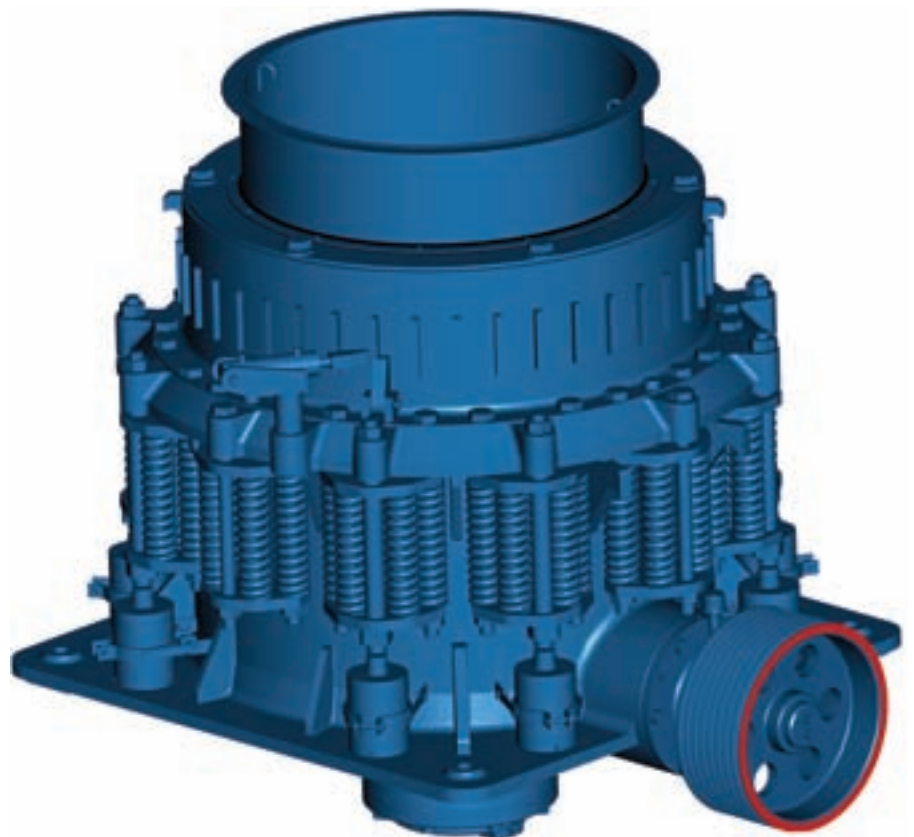
ZYC High-Efficiency Cone Crusher

CRUSHING | GRINDING | QUARRY PLANT | SCREENING | WASHERS | FEEDING | CONVEYOR
Shanghai Joyal Mining Machinery Co., Ltd.





ZYC ZYC cone crushers can be widely used in metal and nonmetal mines, cement, construction, sand and metallurgical industries. For iron ore, nonferrous metal ores, granite, limestone, quartzite, sandstone, pebbles and so on.





Features

ZYC cone crushers

improves the adjusting device, the operation becomes more convenient.

ZYC cone crushers on the basis of absorbing foreign technology, based on customer needs, based on the lamination theory and a number of broken ground breaking conceptual design developed by a small set of high-frequency pendulum, optimize stroke in the cavity and reasonable one of the modern high-performance cone crusher.

A rib liner is provided inside the bottom section of the frame to help protect it from wear.



Simplicity of design and rugged construction have made Cone Crushers ideal for crushing operations.

There are generally four types of Series Cone Crushers :



the SGC Standard or the coarse type, the SGM fine or the medium type, the SGF Short Head type &SGEF Super Fine Type.

The spring-loaded release system allows any uncrushable material to pass through without causing any damage.

All the four types are designed for secondary or tertiary crushing purposes both in stationary and portable applications for highly abrasive materials.



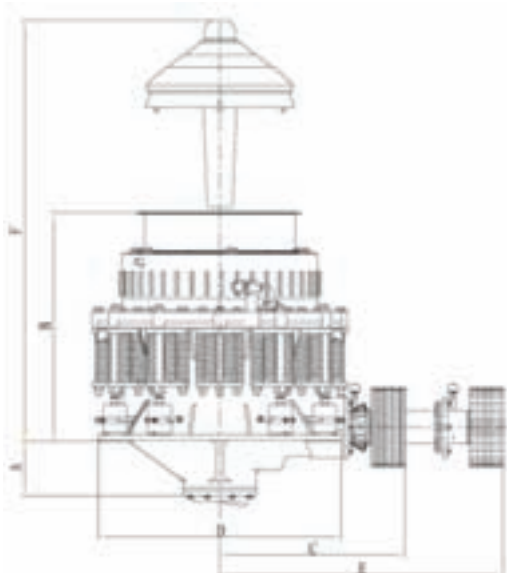
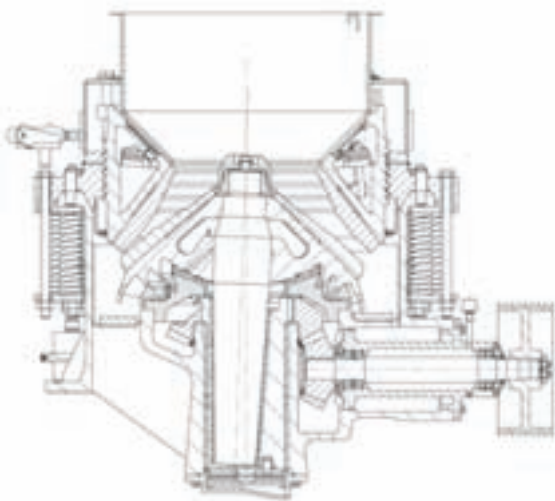
The lubrication unit is interlocked with the main motor for additional safety as a standard equipment.





GLOBAL MARKET LEADER IN CRUSHING TECHNOLOGY

– JOYAL crusher



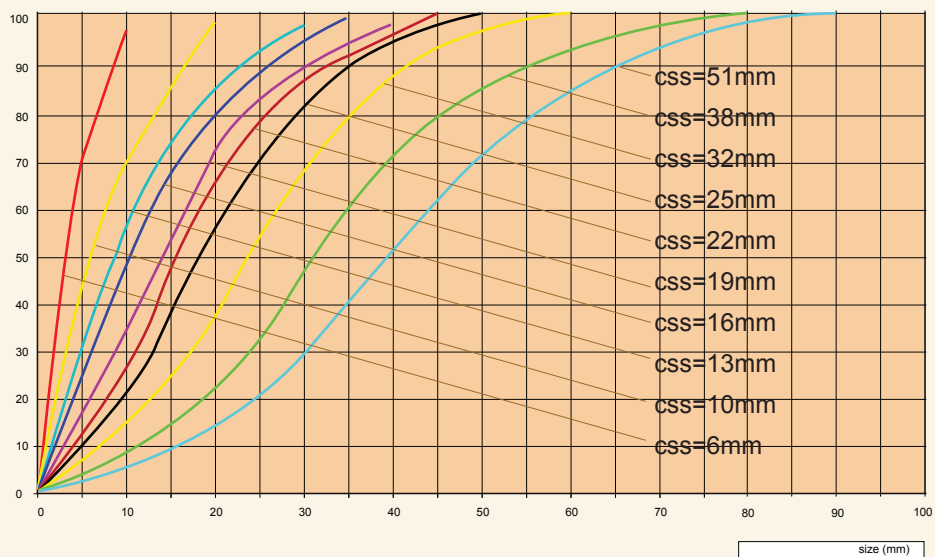
Model	"A"	"B"	"C"	"D"	"E"	"F"
ZYC600	300	1150	1105	1250	1750	1920
ZYC1000	510	1660	1546	1530	2200	2800
ZYC1160	510	1750	1670	1760	2415	3000
ZYC1300	600	2150	1920	2020	2800	3500
ZYC1380	605	2250	1965	2200	2830	3900
ZYC1500	720	2450	2216	2450	3170	4300
ZYC1680	750	2780	2450	2650	3550	4700



Specifications	Cavity	Max feed size	Minimum discharge opening size (mm)	Motor Power	Broken open, the corresponding port of discharge capacity (t / h)										Weight (kg)
		(Mm)			Closed side discharge opening (mm)										
					6	10	13	16	19	22	25	38	51	64	
ZYC600	C	95	10	37-45		20	25	30	35	45	50	76			5300
	M	72	6	37-45	18	20	25	30	35	40	45	60			5300
ZYC1000	C	160	13	90-110			80	100	135	150	175	235			10800
	M	115	10	90-110		65	75	90	120	135	150				10800
	F	80	8	90-110	52	62	72	78	115						10510
	EF	50	6	90-110	50	55	65	70	102						10510
ZYC1160	C	180	13	110-132			115	135	150	180	200	260			15500
	M	130	10	110-132		100	110	120	135	165	175				15500
	F	90	10	110-132		80	105	110	140						15500
	EF	60	6	110-132	60	74	105	110	130						15500
ZYC1300	C	200	16	132-160				150	180	200	230	310	390		22300
	M	150	13	132-160			115	140	160	190	210				22300
	F	102	10	132-160		90	115	145	160						22300
	EF	70	8	132-160		88	110	135	155						22300
ZYC1380	C	215	19	185-220					200	220	260	350	440		26300
	M	160	16	185-220				155	180	200	220				26300
	F	115	13	185-220			150	190	210	230					26300
	EF	76	8	185-220		122	148	185	200						26300
ZYC1500	C	235	22	185-220						265	310	420	525	580	37750
	M	175	19	185-220					215	240	265	320			37750
	F	130	13	185-220			180	210	235	255	275				37750
	EF	90	10	185-220		148	178	200	220						37750
ZYC1680	C	267	22	250-300						330	390	525	655	725	44300
	M	203	16	250-300				230	270	300	330				44300
	F	140	13	250-300		185	225	265	340						44300
	EF	95	10	250-300		180	220	260	335						44300



Gradation Curves

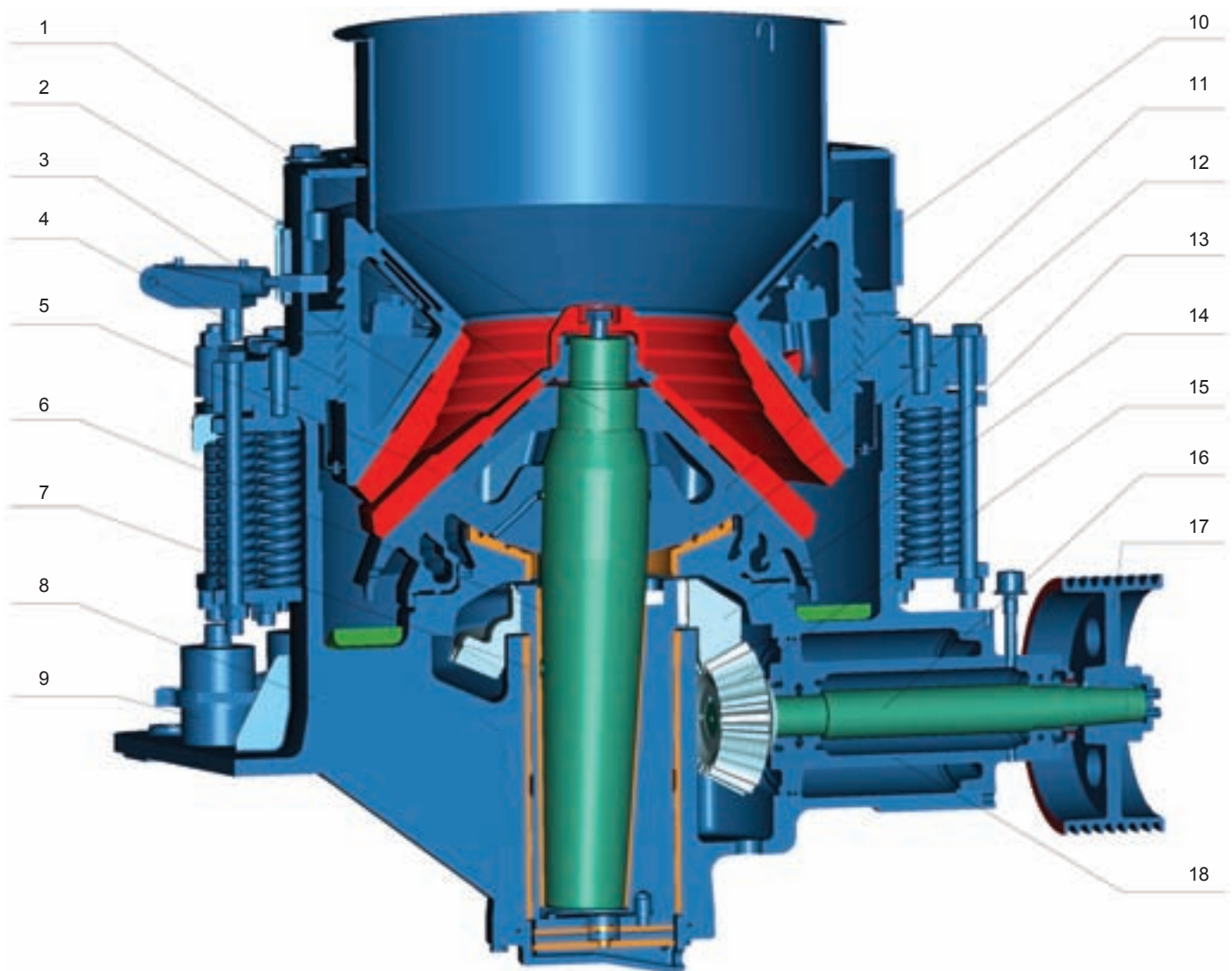


The curve is based on crushing medium hard stone, it may vary according to different kinds of materials and different distribution of feeding material.



Structure Drawing of ZYC Cone Crusher

As shown in graph, fixed cone assembly is mainly composed of adjustment cap and bowl liner, movable cone assembly includes main shaft, fixed cone, mantle and other components, transmission part mainly includes main pulley, drive shaft, a pinion gear, ring gear and other components.



- | | | | | | |
|--------------|------------------|----------------------|----------------|-------------------|-----------------------|
| 1.Nut cover | 4.Top cell | 7.Frame bush | 10.Frame cap | 13.Release spring | 16.Counter shaft |
| 2.Main shaft | 5.Mantle | 8.Main frame | 11.Mantle core | 14.Ring gear | 17.Main pulley |
| 3.Bowl liner | 6.Eccentric bush | 9.Hydraulic cylinder | 12.Seat liner | 15.Pinion gear | 18.Countershaft frame |



Add:No.3389, East Huaxia Road, Pudong New Area, Shanghai, China.

Email:joyal@crusherinc.com

Tel: 0086-21-68763311 0086-21-68763366

http://www.joyalcrusher.com